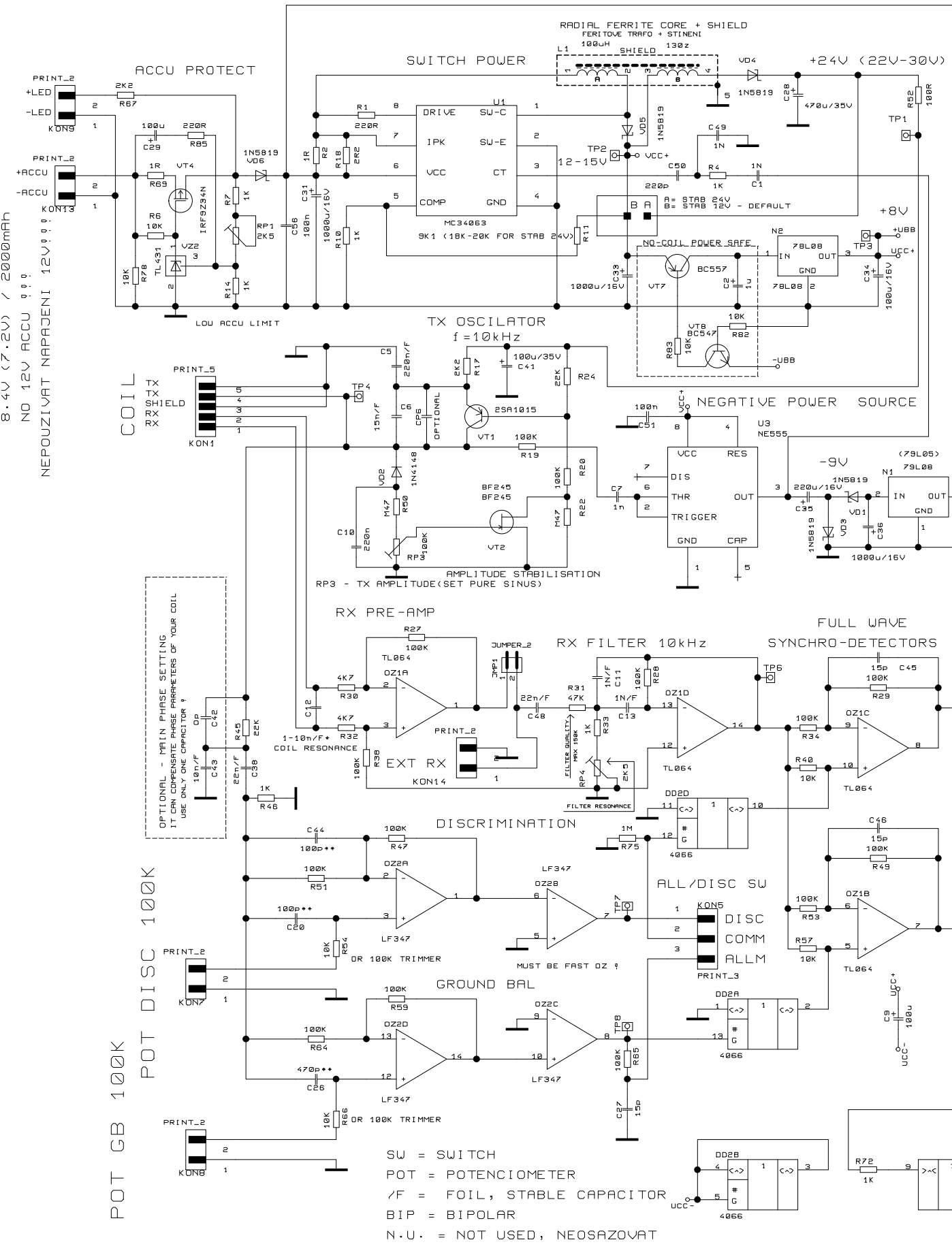


8.4V (7.2V) / 2000mAh
 NO 12V ACCU !!!
 NEPOUZIVAT NAPAJENI 12V!!!



SW = SWITCH
 POT = POTENCIOMETER
 /F = FOIL, STABLE CAPACITOR
 BIP = BIPOLAR
 N.U. = NOT USED, NEOSAZOVAT

POT CB 100K
 POT DISC 100K

OPTIONAL - MAIN PHASE SETTING
 IT CAN COMPENSATE PHASE PARAMETERS OF YOUR COIL
 USE ONLY ONE CAPACITOR !

RP3 - TX AMPLITUDE (SET PURE SINUS)

RX FILTER 10kHz

FULL WAVE SYNCHRO-DETECTORS

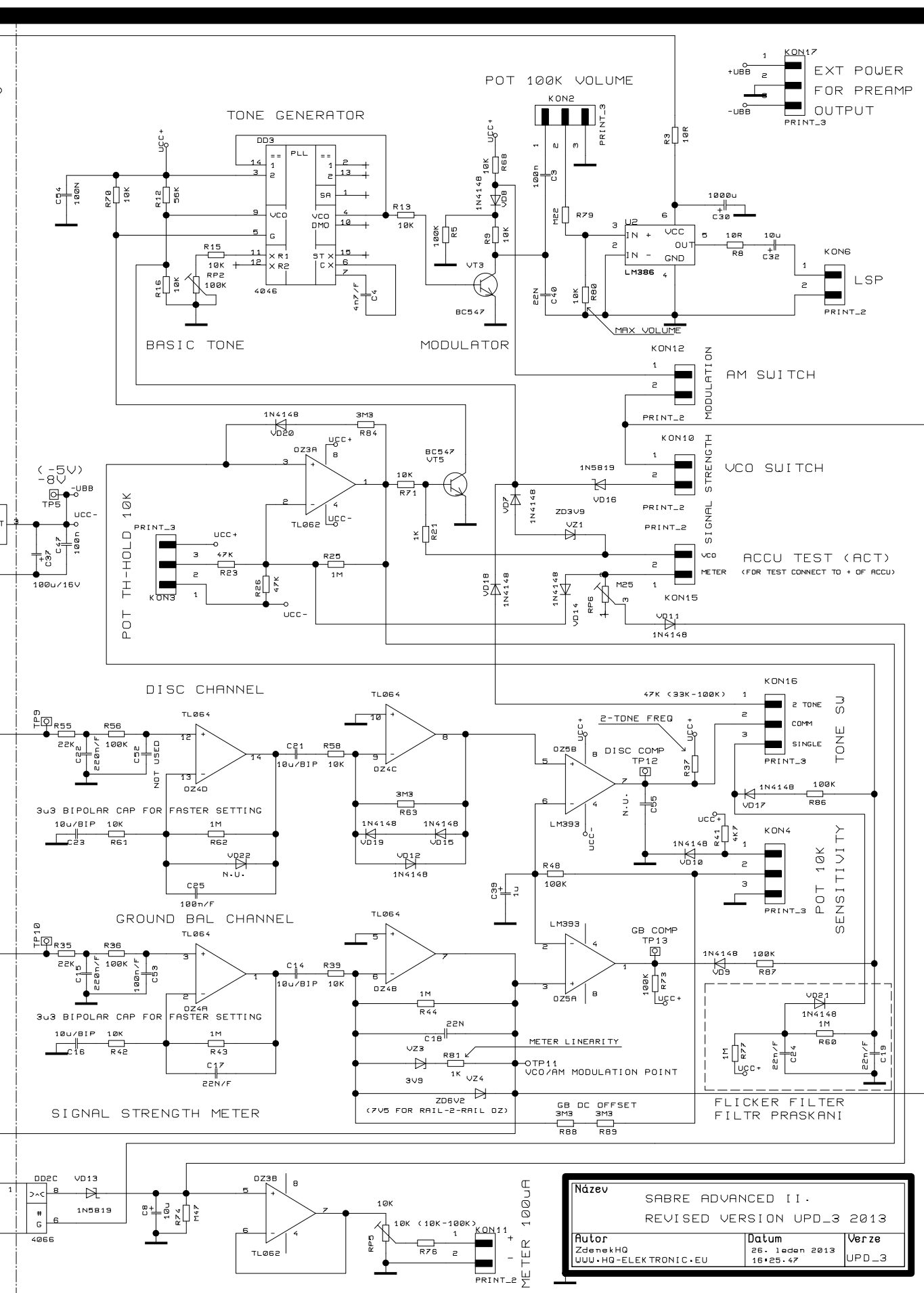
DISCRIMINATION

GROUND BAL

ALL/DISC SW

MUST BE FAST OZ ?

UCC+ 100u
 UCC- 100u



Název		
SABRE ADVANCED II.		
REVISED VERSION UPD_3 2013		
Autor	Datum	Verze
ZdenekHQ	26. leden 2013	UPD_3
WUJ.HQ-ELEKTRONIC.EU	16.25.47	