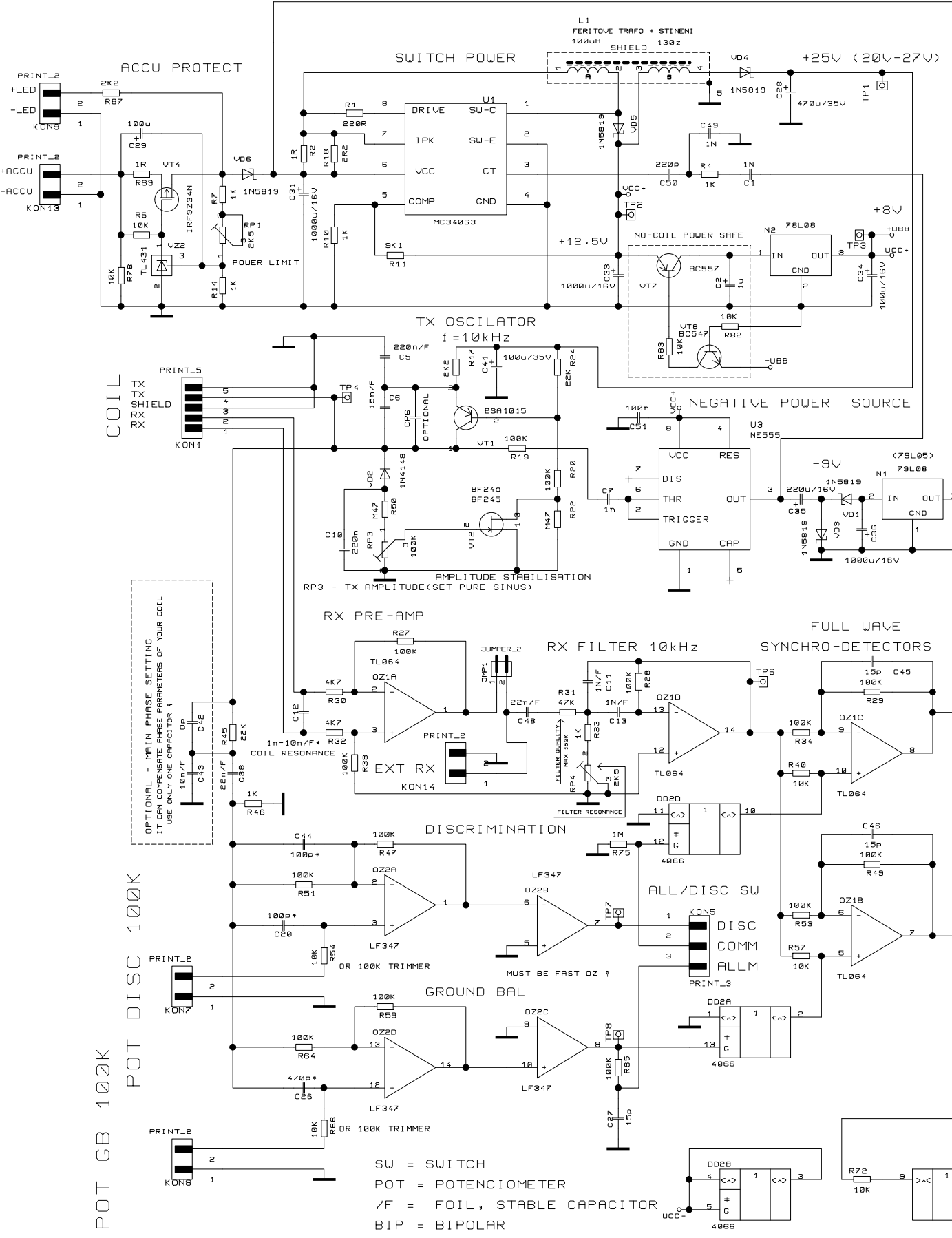


7.2V/2000mAh



ACCU PROTECT

SWITCH POWER

TX OSCILATOR

f = 10kHz

NEGATIVE POWER SOURCE

RX PRE-AMP

RX FILTER 10kHz

FULL WAVE SYNCHRO-DETECTORS

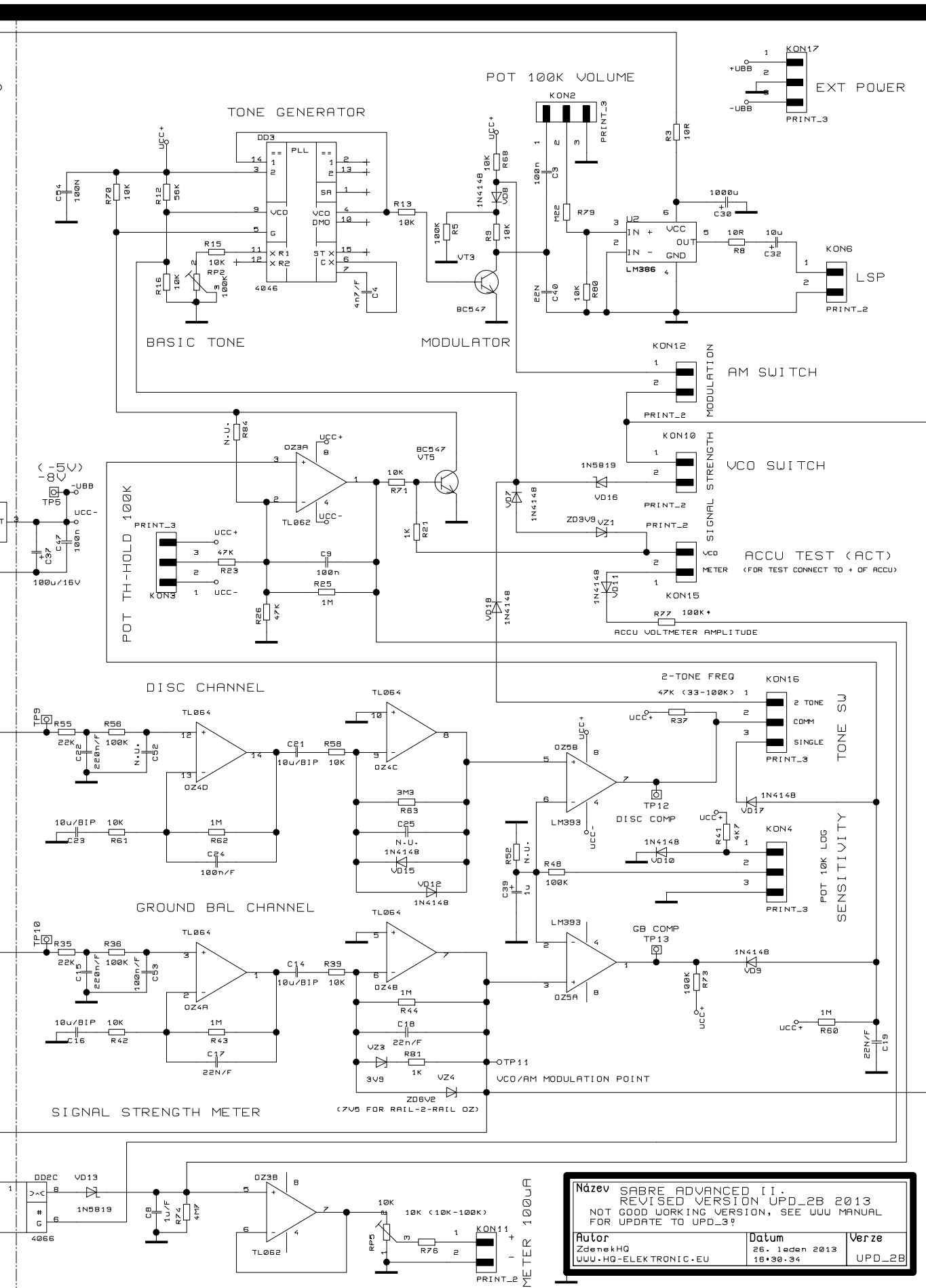
DISCRIMINATION

GROUND BAL

OPTIONAL - MAIN PHASE SETTING
IT CAN COMPENSATE PHASE PARAMETERS OF YOUR COIL
USE ONLY ONE CAPACITOR!

POT DISC 100K
POT GB 100K

SU = SWITCH
POT = POTENCIOMETER
/F = FOIL, STABLE CAPACITOR
BIP = BIPOLAR
N.U. = NOT USED, NEOSAZOVAT



Název SABRE ADVANCED I I.
 REVISED VERSION UPD_2B 2013
 NOT GOOD WORKING VERSION, SEE WWW MANUAL
 FOR UPDATE TO UPD_3?

Autor ZdenekHO WWW.HQ-ELEKTRONIC.EU	Datum 25. leden 2013 16:30:34	Verze UPD_2B
---	-------------------------------------	-----------------