

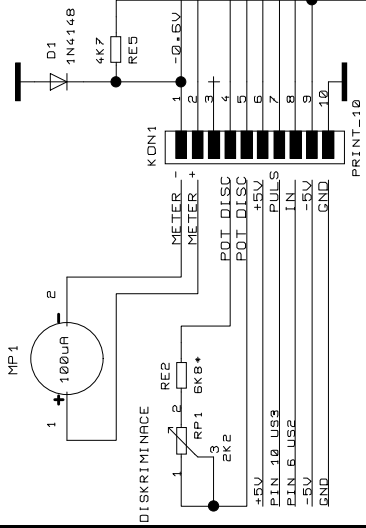
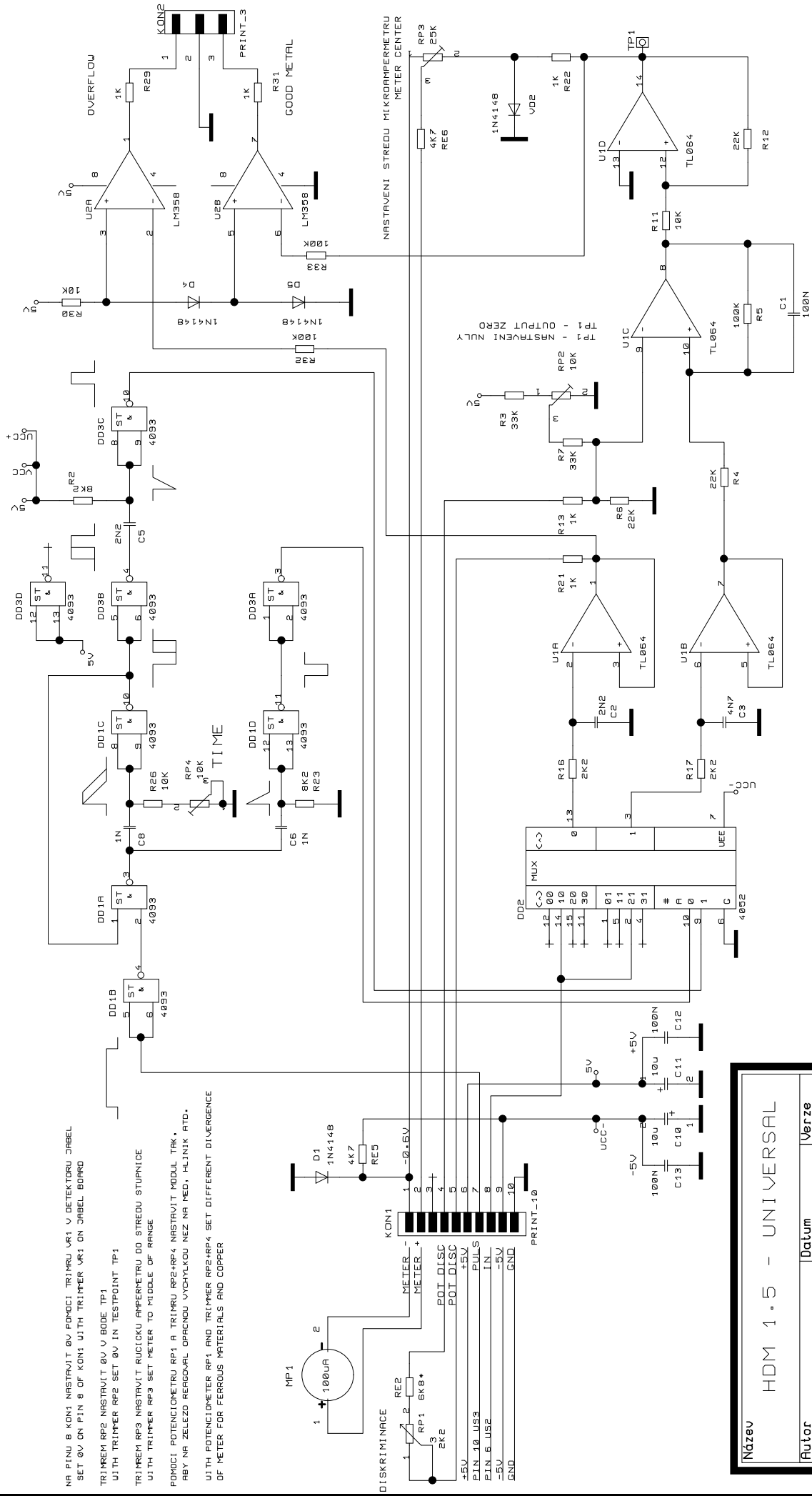
NA PINU 8 KDN1 NASTAVIT 0V POKOCI TRIMRU VR1 V DETEKTORU ZABEL  
SET 0V ON PIN 8 OF KDN1 WITH TRIMMER VR1 ON ZABEL BODRO

TRIMREM RP2 NASTAVIT 0V V BODE TP1  
WITH TRIMMER RP2 SET 0V IN TESTPOINT TP1

TRIMREM RP3 NASTAVIT RUCICOU AMPERMETRU DO STREDU STUPNICE  
WITH TRIMMER RP3 SET METER TO MIDDLE OF RANGE

POMOCI POTENCIOMETRU RP1 A TRIMRU RP2-RP4 NASTAVIT MODUL IRK.  
BY NA ZELEZO RINGOVU OPRAVKU VICHYLOU NEZ NA NED, HLINIK ATO.

WITH POTENTIOMETER RP1 AND TRIMMER RP2-RP4 SET DIFFERENT DIVERGENCE  
OF METER FOR FERROUS MATERIALS AND COPPER



Název		HDM 1.5 - UNIVERSAL	
Autor		Verze	
Zdeněk HO	Datum	05/2012	UPD_3
WWW.HQ-ELEKTRONIC.EU			